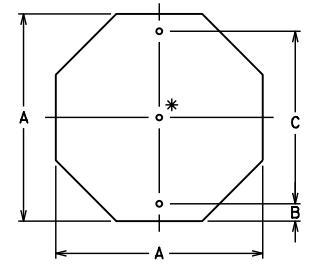


TRAFFIC ENGINEERING DIVISION  
Computer: NDOTTRAFFIC8  
Date: 12-NOV-2019 15:19  
File: ybikdet1.dgn

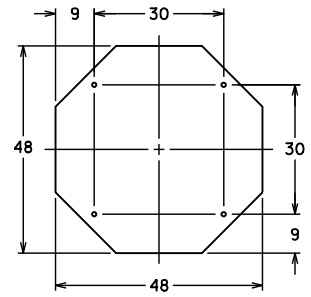
OCTAGON



A	B	C	ALUM	SQ FT
18	2	14	.063	1.9
30	3	24	.080	5.2
36	3	30	.100	7.5

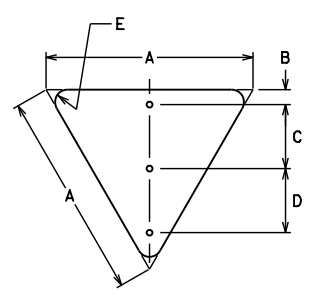
\* CENTER MOUNTING HOLE REQUIRED

48" OCTAGON

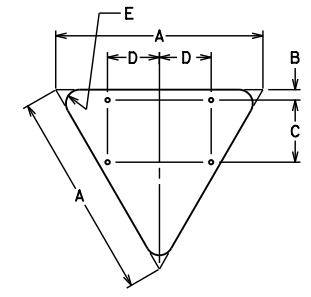


ALUM	SQ FT
.100	13.3

EQUILATERAL TRIANGLE

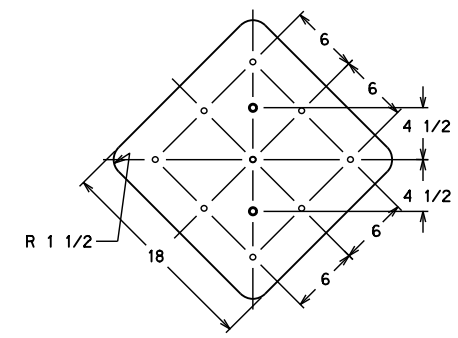


A	B	C	D	E	ALUM	SQ FT
36	3	10	11	2	.080	3.9
42	3	13	13	2 1/2	.100	5.3



A	B	C	D	E	ALUM	SQ FT
48	3	12	12	3	.100	6.9
60	3	18	15	4	.100	10.8

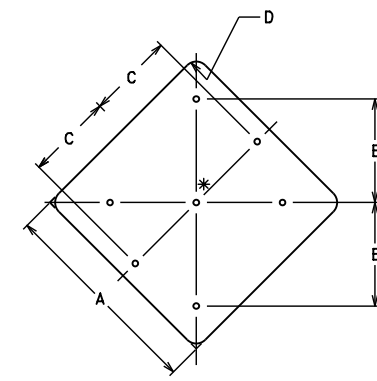
18" OBJECT MARKER



o DIA	o DIA	ALUM	SQ FT
.193	5/16 OR 3/8	.063	2.3

.193 - No. DRILL 11

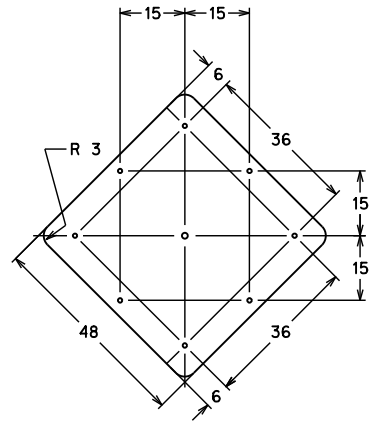
SQUARE & DIAMOND



A	B	C	D	ALUM	SQ FT
12	-	4	1 1/2	.063	1.0
18	9	6	1 1/2	.063	2.3
24	12	9	1 1/2	.080	4.0
30	15	12	1 7/8	.080	6.3
36	18	15	2 1/4	.100	9.0

\* CENTER MOUNTING HOLE REQUIRED

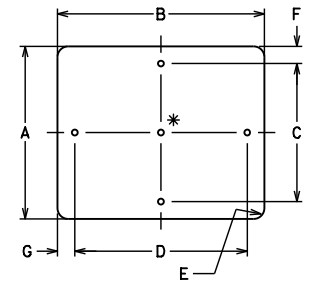
48" SQUARE & DIAMOND



ALUM	SQ FT
.080	16.0
.100	16.0

9 MOUNTING HOLES REQUIRED

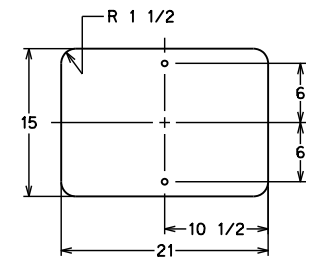
VERTICAL & HORIZONTAL RECTANGLE, SINGLE POST



A	B	C	D	E	F	G	ALUM	SQ FT
10	24	7	18	1 1/2	1 1/2	3	.080	1.7
12	24	9	18	1 1/2	1 1/2	3	.080	2.0
12	36	9	30	1 1/2	1 1/2	3	.080	3.0
18	24	12	18	1 1/2	3	3	.080	3.0
18	36	12	30	1 1/2	3	3	.080	4.5
24	30	18	24	1 1/2	3	3	.080	5.0
24	36	18	30	1 1/2	3	3	.080	6.0
24	42	18	36	1 1/2	3	3	.080	7.0
30	36	24	30	1 7/8	3	3	.080	7.5

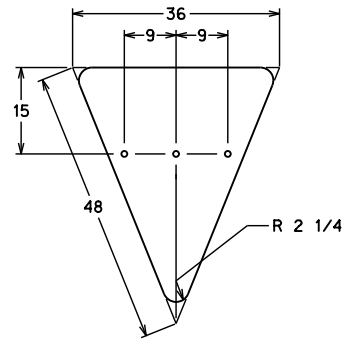
\* CENTER MOUNTING HOLE REQUIRED

21" X 15" RECTANGLE



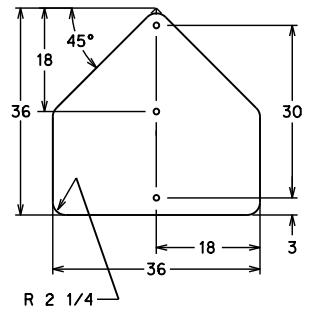
ALUM	SQ FT
.063	2.2

ISOSCELES TRIANGLE



ALUM	SQ FT
.100	5.6

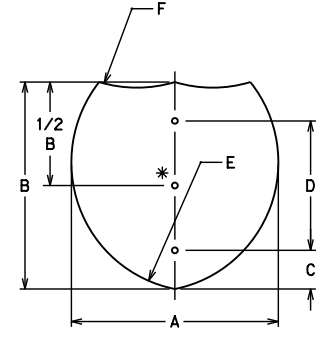
PENTAGON (SCHOOL)



ALUM	SQ FT
.100	6.8

CENTER MOUNTING HOLE REQUIRED

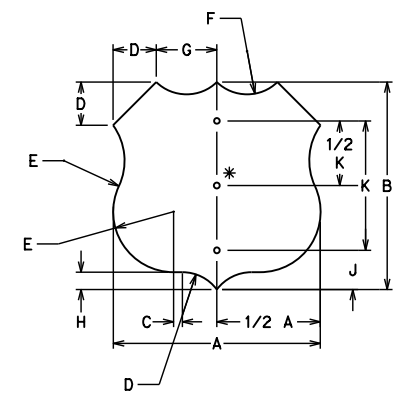
INTERSTATE SHIELD



A	B	C	D	E	F	ALUM	SQ FT
24	24	3	18	15	15	.080	3.8
30	24	3	18	17	24	.080	5.7
36	36	6	24	22 1/2	22 1/2	.100	8.5
45	36	6	24	25 1/2	36	.100	10.5
48	48	9	30	30	30	.100	12.9
60	48	9	30	34	48	.100	16.1

\* CENTER MOUNTING HOLE REQUIRED

FEDERAL SHIELD

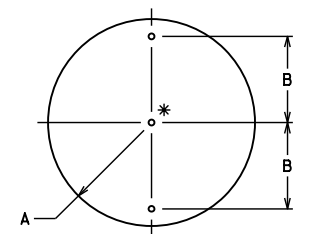


A	B	C	D	E	F	G
24	24	1	5	7	5	7
30	24	4	5	7	9	10
36	36	1 1/2	7 1/2	10 1/2	7 1/2	10 1/2
45	36	5 1/2	7 1/2	10 1/2	13 1/2	15
48	48	2	10	14	10	14
60	48	8	10	14	18	18

A	B	H	J	K	ALUM	SQ FT
24	24	2	3	18	.080	3.8
30	24	2	3	18	.080	4.8
36	36	3	6	24	.100	8.6
45	36	3	6	24	.100	10.9
48	48	4	9	30	.100	15.3
60	48	4	9	30	.100	19.3

\* CENTER MOUNTING HOLE REQUIRED

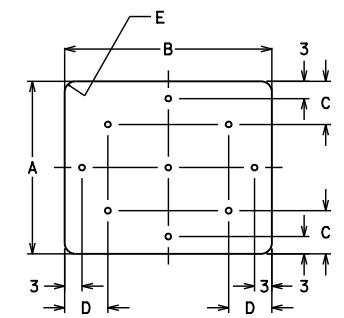
CIRCLE



A	B	ALUM	SQ FT
15	12	.080	4.9
18	15	.100	7.1

\* CENTER MOUNTING HOLE REQUIRED

VERTICAL & HORIZONTAL RECTANGLE, DOUBLE POST



A	B	C	D	E	ALUM	SQ FT
18	48	3	9	1 1/2	.100	6.0
24	48	3	9	1 7/8	.100	8.0
30	48	3	9	1 7/8	.100	10.0
36	48	6	9	2 1/4	.100	12.0
18	54	3	9	1 1/2	.100	6.8
24	54	3	9	1 7/8	.100	9.0
24	60	3	12	1 7/8	.125	10.0
30	60	3	12	1 7/8	.125	12.5
36	60	6	12	2 1/4	.125	15.0
48	60	9	12	3	.125	20.0

9 MOUNTING HOLES REQUIRED

NOTES

- ALL DIMENSIONS ARE IN INCHES.
- ALL BLANKS ARE SYMMETRICAL ABOUT CENTERLINES.
- HOLE SIZES ARE 3/8" DIA. UNLESS OTHERWISE SPECIFIED.

NEBRASKA DEPARTMENT OF TRANSPORTATION  
TRAFFIC ENGINEERING DIVISION

TYPICAL SIGN INSTALLATION

DESIGNED	DESIGN DETAILS		
REVIEWED	BLANK STANDARDS & HOLE LOCATIONS		
APPROVED	DATE DRAWN	TRAFFIC ENGINEER	DATE
	08/14		